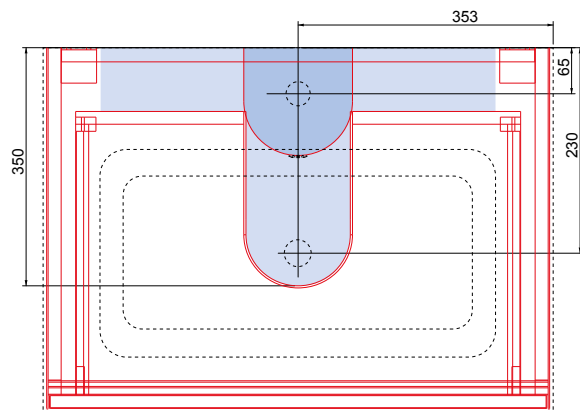
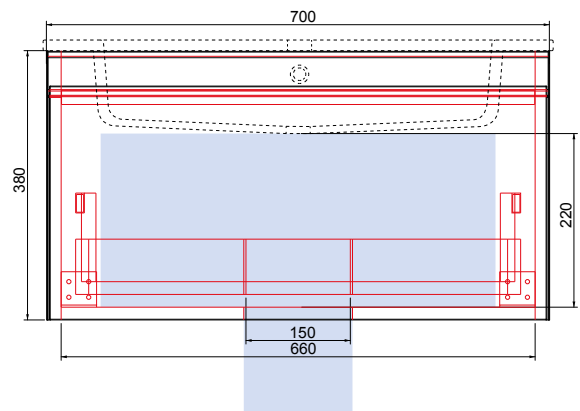
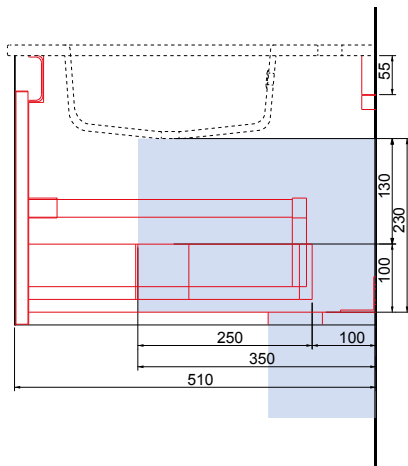
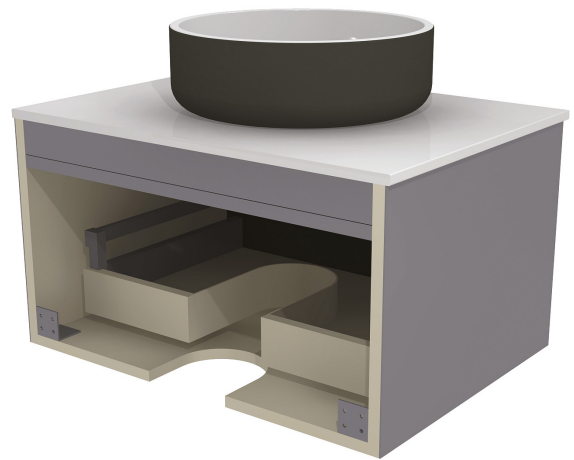
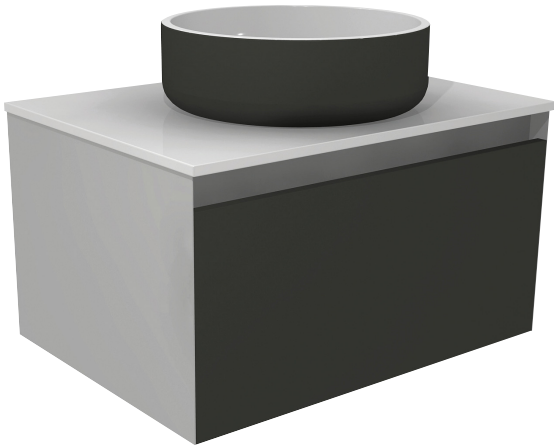


PRODUCT	ONETA 700 VANITY UNIT (37KG)
UNIT SIZE	700w x 510d x 380h
BASIN	LEDRO CAST BASIN (16kg)
BASIN SIZE	705w x 515d x 140h

FITTING ADVICE

- The shaded areas indicate the clear voids for the running of services
- This unit is heavy. A secure wall fixing is required
- To aid installation, it is recommended to remove the drawer to give full access and to avoid damage
- Recommended height from floor to top of vanity unit carcass is 810mm
- All wall to carcass and wall to basin joints should be sealed with silicone
- All dimensions are in mm

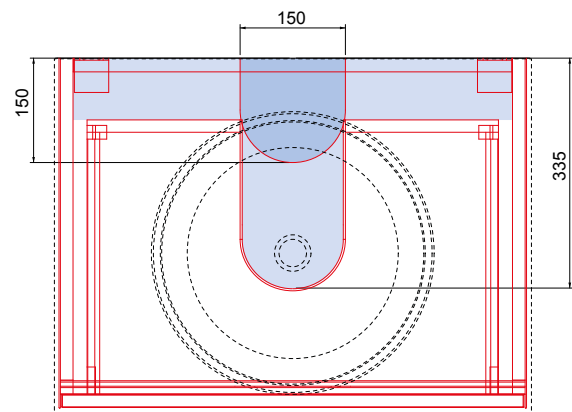
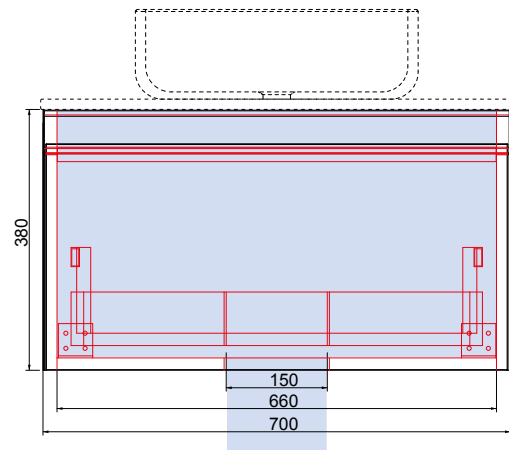
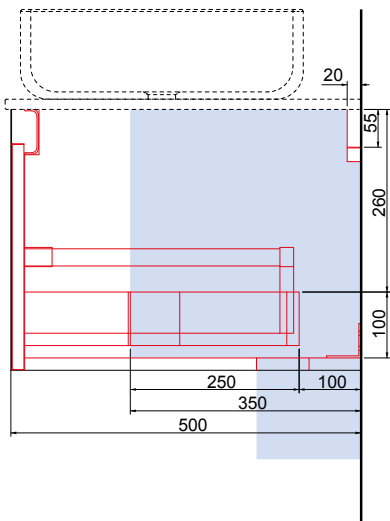


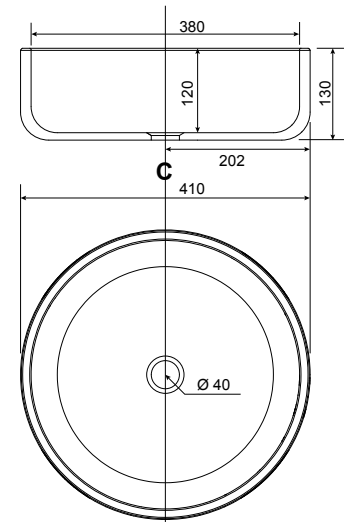
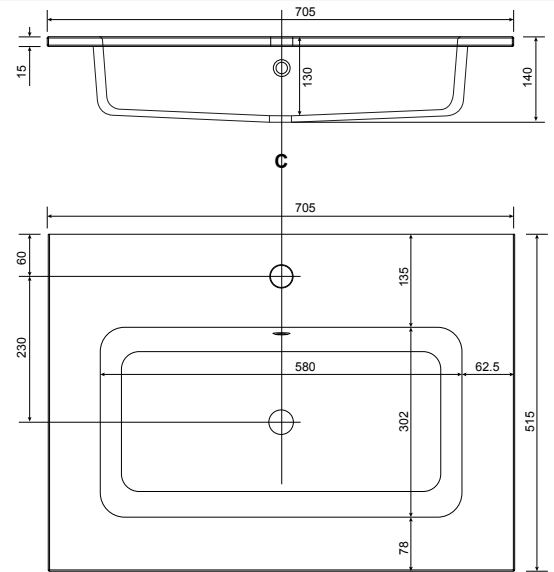
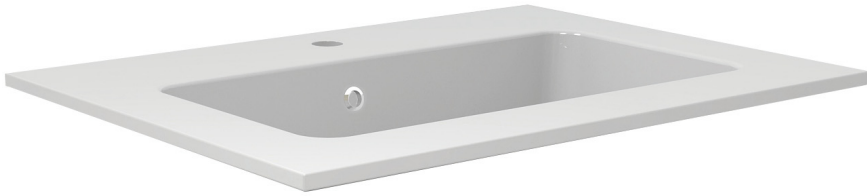


PRODUCT	ONETA 700 VANITY UNIT (37KG)
UNIT SIZE	700w x 500d x 380h
BASIN	TORNO CAST BASIN (15.5kg)
BASIN SIZE	410w x 410d x 130h
ACRYLIC WORKTOP	710w x 510d x 12h (14KG)

FITTING ADVICE

- The shaded areas indicate the clear voids for the running of services
- This unit is heavy. A secure wall fixing is required
- To aid installation, it is recommended to remove the drawer to give full access and to avoid damage
- Recommended height from floor to top of vanity unit carcass is 710mm
- All wall to carcass and wall to basin joints should be sealed with silicone
- All dimensions are in mm





CAST MARBLE BASINS

The core ingredient of our Cast Marble basins is Dolomite Marble which is formed through volcanic action. The rock is milled and purified before being mixed with polymer resin formed into the required shape and then coated with a resin and quartz mixed gel coat to save its pigment and smooth finish.

The result is an extremely durable and easy to maintain product coupled with the benefit of constant sizing and smooth finishing that cannot be matched by traditional ceramics. Scratches are also repairable making this a more forgiving option. Cast basins have a sharp and ultra modern structured appeal to them.



To aid installation, it is recommended to remove the drawers to give full access and to avoid damage.

1. Fit the levelling bar to the wall using suitable fixings for the substrate.
2. Hang vanity carcass on the levelling bar and fix through the upper bar & lower brackets.
3. Silicone around the top of the unit and place basin or worktop.
4. Silicone around the rear of the unit at wall abutment.
5. Re-fit drawers

